

GE Healthcare

Healthy bones.
It's vital.

DPX* Bravo.
Making room for
DXA technology.



DPX Bravo enables you to offer essential bone health assessment in a compact, flexible system.



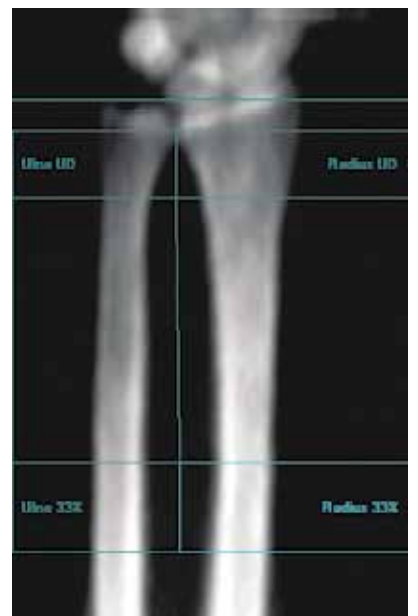
Here is where vitality fits.

Accurate osteoporosis diagnosis and treatment is an important part of helping ensure the future strength of your practice. Yet space is always at a premium. Now you can have the dual-energy X-ray absorptiometry (DXA) tools you need for essential bone health assessment, within a surprisingly small footprint. With DPX* Bravo.

Essential functionality in less space.

DPX Bravo is designed to fit your practice. It delivers a variety of tools to help you assess fracture risk—based on validated clinical performance and reference data you can trust. And it gives you built-in flexibility: It fits into your exam room and can double as an exam table. So you can expand your practice to offer bone mineral density (BMD) analysis, without expanding your space.

As a health professional, you are your patients' connection to bone health. That's one way you help guide them to lasting quality of life. Together, you and DPX Bravo provide essential bone health management.



Essential tools.

Clinical confidence in bone health assessment.

The standard BMD applications—spine, femur, and forearm—can be obtained with DPX Bravo with clinical performance comparable to that of full-size DXA systems. Its BMD measurements are proven to be accurate and precise. In fact, published clinical studies have demonstrated BMD in-vivo precision at the hip to be <1%.¹⁻⁵

Accuracy made easy.

Your practice needs to be able to accurately analyze BMD data and quickly generate patient reports. DPX Bravo easily puts credible bone health assessment within reach, with advanced scan and analysis tools.

The FRAX** fracture risk tool helps to identify patients with low bone mass who are most likely to benefit from treatment. Licensed from the World Health Organization (WHO), FRAX makes it easy to comply with new osteoporosis guidelines.

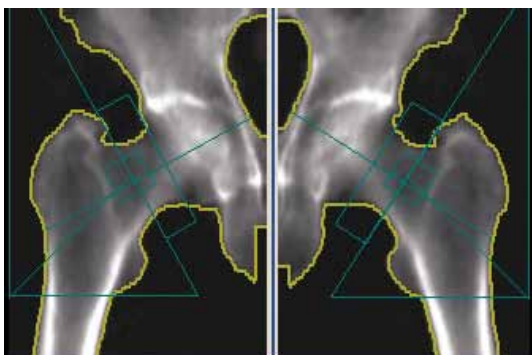
10-year Probability of Fracture:

Major Osteoporotic	42.2%
Hip	9.1%

Clinical risk factors included in FRAX:

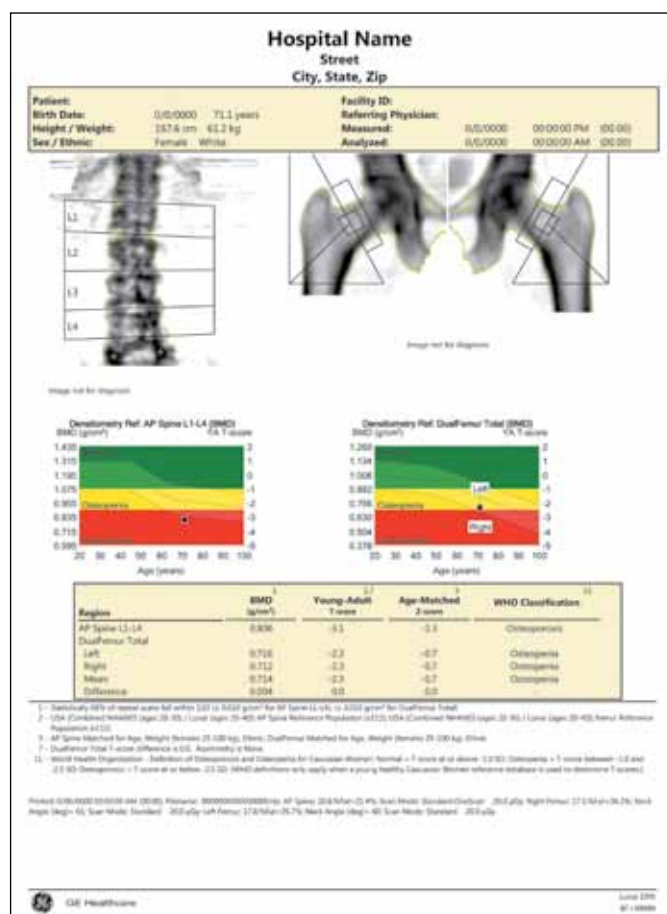
- Age
- Gender
- Body mass index (kg/cm²)
- Previous fracture
- Parental history of hip fracture
- Current smoking
- Glucorticoids
- Rheumatoid arthritis
- Secondary osteoporosis
- Alcohol (>3 drinks/day)
- Femoral neck BMD (g/cm²)

ScanCheck automatically identifies potential errors in artifact identification, acquisition, and analysis—and provides correction instructions.



- ⚠ (Left Femur) Femur shaft does not appear to be aligned properly.
- ⚠ (Right Femur) Femur shaft does not appear to be aligned properly.

OneScan performs spine and dual femur BMD measurements in a single acquisition.⁶ Results print in a one-page report.



You can help protect their vitality by predicting risk of fracture and prescribing treatment to help prevent it.

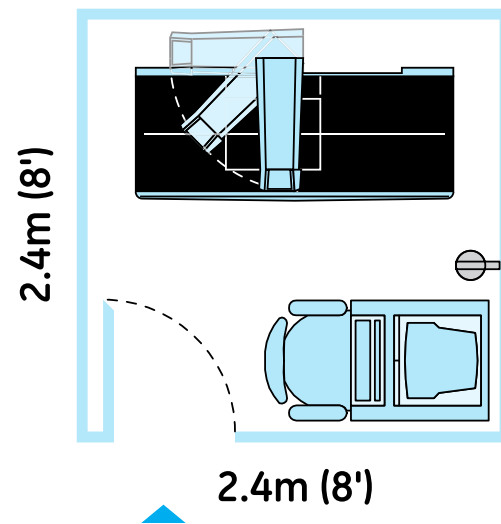
The DPX Bravo provides extensive reference data based on more than 12,000 subjects, as well as regional databases and custom database options. You can configure osteoporosis classification using guidelines from the WHO.

Adaptable.

DXA technology that fits your needs and your space.

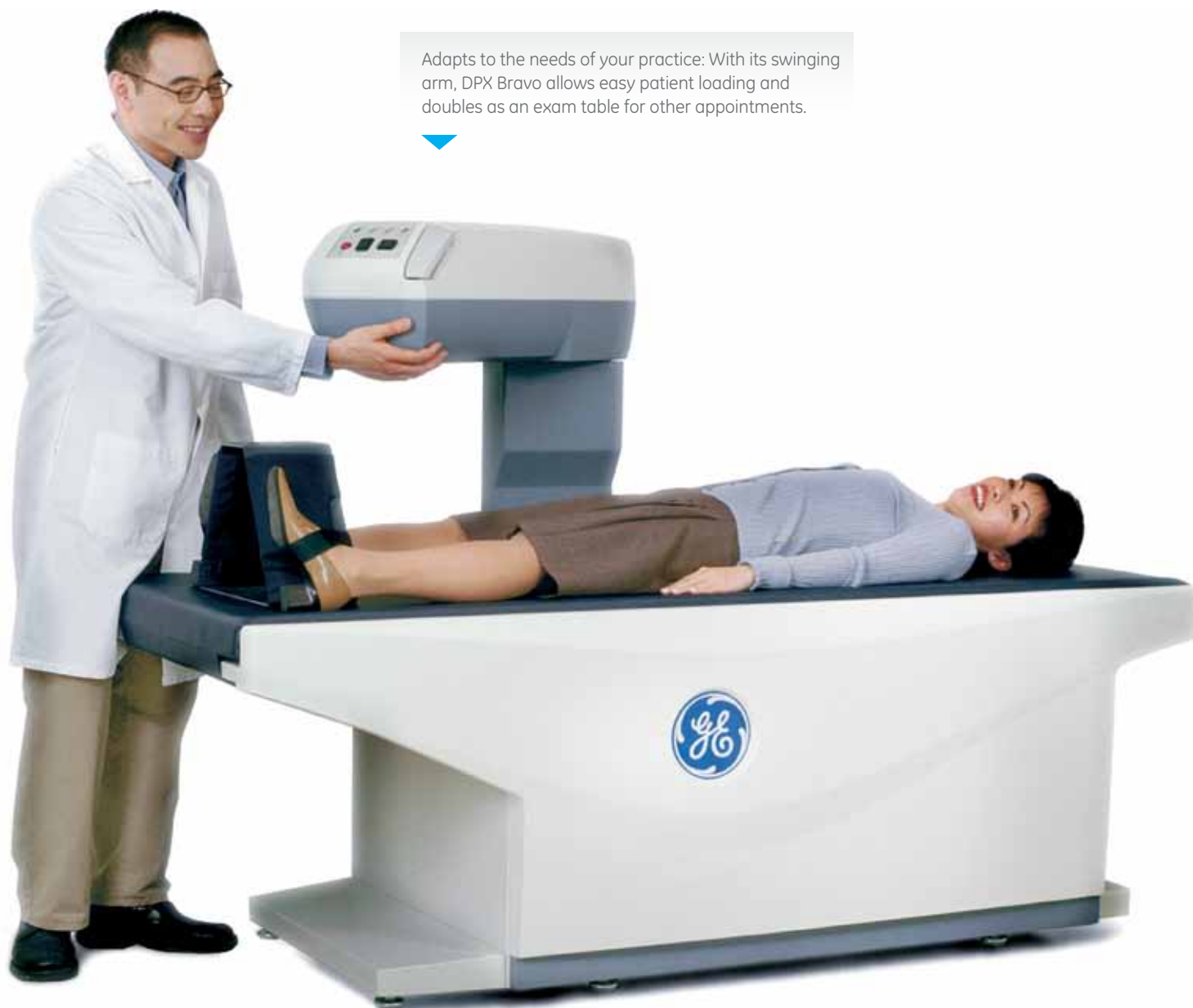
Space constraints are a common concern for clinics, and DXA technology platforms are typically quite large. But DPX Bravo is not typical. Its footprint is smaller than most other DXA tables—186cm (74") long by 86cm (34") wide. Its arm swings out of the way so the table can be used for other exam purposes.

Minimum room dimensions:



Reliable bone health assessment even in small spaces that do not accommodate most other DXA units.

Adapts to the needs of your practice: With its swinging arm, DPX Bravo allows easy patient loading and doubles as an exam table for other appointments.





Vitality for your patients means vitality for your practice.

Your patients depend on you to identify and help manage their bone health. In fact, your early intervention can make a lasting difference to their future.

Whether you are adding bone health assessment to your practice or expanding it, DPX Bravo can help increase your ability to serve your patients with greater understanding of their conditions. It's an essential resource for your DXA needs.

**Contact your GE Healthcare representative
for more information on DPX Bravo.**

¹Del Rio L, Di Gregorio S, Rosales J. Performance evaluation of a compact DXA system: the Lunar Bravo. *Osteoporos Int.* 2004;15(Suppl 1):S45.

²Schoeller MC, Simonelli C. Precision and accuracy of the Bravo, a compact bone densitometer. *J Clin Densitom.* 2004;7:229.

³Broy SB, Jankowski LG. Performance evaluation of a new DXA system: The Lunar Bravo. *J Bone Miner Res.* 2003;18(Suppl 2):S316.

⁴Nord RH, Barden HS, Krepanith S, Faulkner KG. Precision and accuracy of the GE Lunar DPX Bravo bone densitometer. *J Bone Miner Res.* 2003;(Suppl 2):S204.

⁵Cui LH, Shin MH, Chung EK. Association between bone mineral densities and serum lipid profiles of pre- and post-menopausal rural women in South Korea. *Osteoporos Int.* 2005;16(12):1975-1981.

⁶Simonelli C, Del Rio L, Binkley N. Comparison of spine BMD measurements from DXA with and without leg elevation. Abstract published *J Bone Miner Res.* 2004.

Lunar Product Division: Americas

**GE Healthcare Lunar
Global Headquarters**
PO Box 7550
Madison, WI 53707-7550
T: +1-800-535-7339
F: +1-608-223-2482

Europe, Middle-East & Africa

GE Healthcare Lunar
Pollards Wood
Nightingales Lane
Chalfont St Giles
Buckinghamshire, UK
HP8 4SP
info.lunar@ge.com

Asia & Pacific

GE Healthcare Lunar
3/F GE China Technology Park
No. 1 Hua Tuo Road
Shanghai 201203, China
T: +86-21-38777888 (Ext. 60128 or 60480)
F: +86-21-38777451

About GE Healthcare

GE Healthcare provides transformational medical technologies and services that are shaping a new age of patient care. Our broad expertise in medical imaging and information technologies, medical diagnostics, patient monitoring systems, drug discovery, biopharmaceutical manufacturing technologies, performance improvement and performance solutions services helps our customers to deliver better care to more people around the world at a lower cost. In addition, we partner with healthcare leaders, striving to leverage the global policy change necessary to implement a successful shift to sustainable healthcare systems.

Our “healthymagination” vision for the future invites the world to join us on our journey as we continuously develop innovations focused on reducing costs, increasing access and improving quality around the world. Headquartered in the United Kingdom, GE Healthcare is a unit of General Electric Company (NYSE: GE). Worldwide, GE Healthcare employees are committed to serving healthcare professionals and their patients in more than 100 countries. For more information about GE Healthcare, visit our website at www.gehealthcare.com.

www.gehealthcare.com

©2012 General Electric Company – All rights reserved.

GE and GE Monogram are trademarks of General Electric Company.

*Trademark of General Electric Company.

**FRAX is a registered trademark of the World Health Organization Collaborating Centre for Metabolic Bone Diseases, University of Sheffield, UK.

GE Healthcare, a division of General Electric Company

